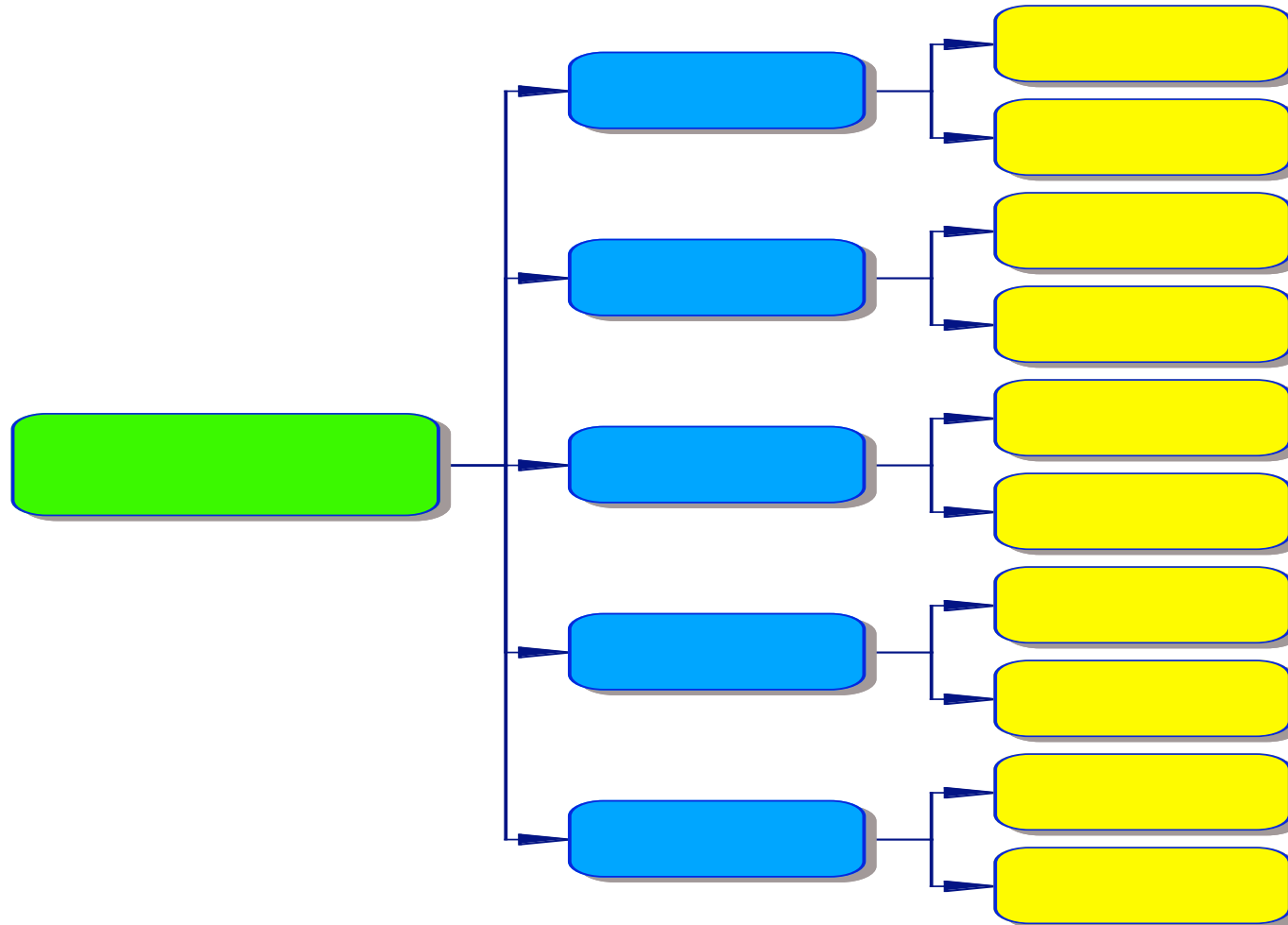


Brace Map



Physical part whole relationships